

# ReSeal<sup>®</sup> Fittings for MilkFlex<sup>®</sup> Hose



## INDUSTRY COMPLIANCES:

- 3-A 62-01 LISTED
- ACCEPTED BY USDA DAIRY, EGG, MEAT AND POULTRY, CANADIAN FOOD INSPECTION AGENCY (CFIA)
- REVIEWED BY MILK SAFETY BRANCH IN COMPLIANCE WITH GRADE "A" PASTEURIZED MILK ORDINANCE/FDA

## Applications

- Dairy
- Food
- Beverage



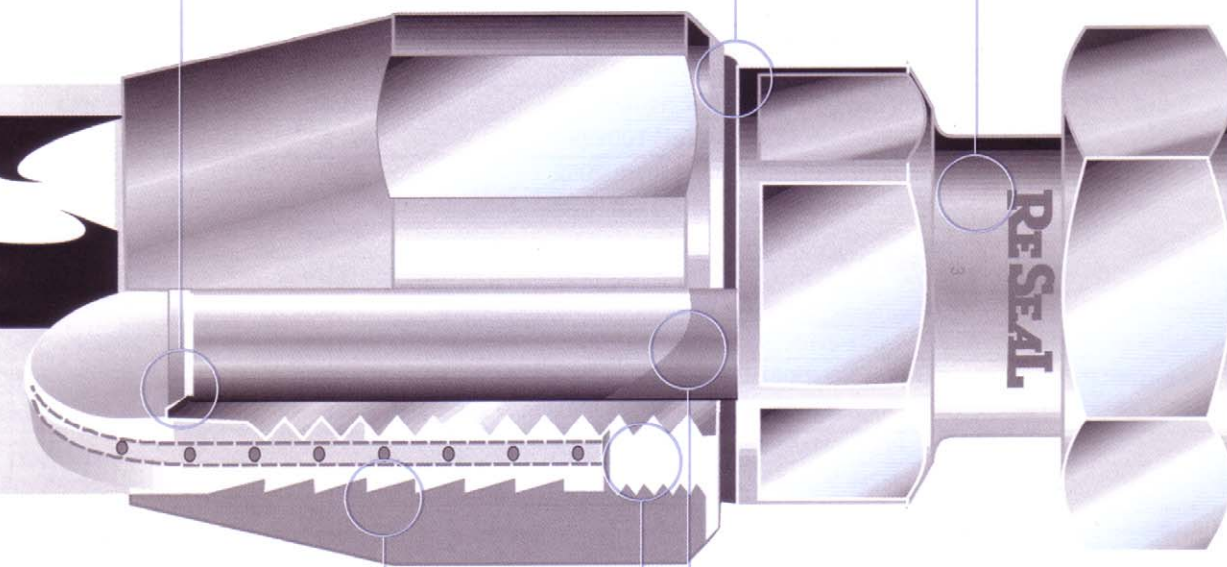
## Features and Benefits

- **Totally reusable**
  - Made of grade 316L stainless steel with an average interior surface finish of 20Ra or better
  - Can be dismantled and reattached to a new length of hose by a factory-authorized fabricating distributor
  - Significant savings compared to the cost of a completely new assembly
- Available in a variety of sizes and end styles
- Light weight
- **Sanitary**
  - Meets the stringent requirements of dairy applications
  - Full flow compression seal and smooth bore design prevent bacteria build-up
  - Patented O-ring design provides 360° seal at stem-to-hose-sleeve junction point
  - No external entrapment area to harbor bacteria
- **Cleanable**
  - Suitable for Clean-In-Place (CIP) procedures
  - No disassembly for cleaning like clamped-in fittings
- **Safe**
  - Superior coupling retention
  - No straps or bands to injure workers
- **Inspectable**
  - Quick disassembly makes inspections easy

CIP suitable – no disassembly for cleaning like clamped-in fittings

Patented O-ring design provides 360° seal at stem-to-hose-sleeve junction point – no external entrapment areas to harbor bacteria

High grade 316L material – durable and chemically resistant



Deep barb serrations provide excellent retention – resists fitting blow-off

Patent pending polymer insert – eliminates galling

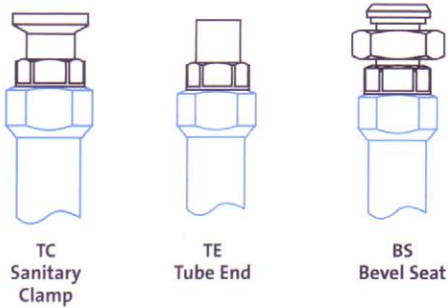
Quality workmanship – average interior surface finish of 15Ra or better

## Fitting Details

- ReSeal® fittings for MilkFlex® hose are available in three sizes from (51mm, 63mm, 76mm) and three standard end styles
- Stems are manufactured from grade 316L stainless steel with an average interior surface finish of 15Ra or better
- Hose sleeves are available in either stainless steel or high impact polymer

## End Connector Styles

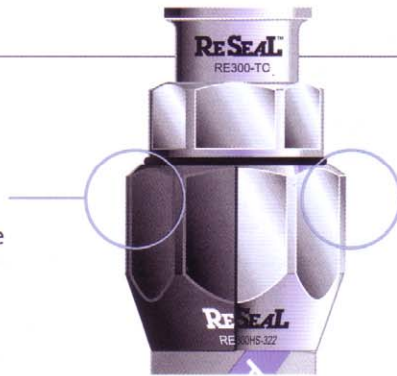
*Other end styles are also available with additional welding charges.*



## Hose Sleeves

### *Polymer*

- Lightweight
- Mild chemical resistance
- Inexpensive
- Superior impact resistance
- Abrasion resistant
- CIP chemically suitable
- Non-reusable



### *Stainless Steel*

- Elevated temperature
- CIP suitable
- Excellent durability
- Higher pressure ratings
- Chemically resistant
- Reusable

## MilkFlex® Hose



Milkflex®  
Hose  
pg 31