

ReSeal[®] Fittings for ClearGard[®] PVC Suction/Discharge Hose and ClearGard[®] PVC Tubing

INDUSTRY COMPLIANCES:

- 3-A 62-01 LISTED
- ACCEPTED BY USDA DAIRY, EGG, MEAT AND POULTRY, CANADIAN FOOD INSPECTION AGENCY (CFIA)
- REVIEWED BY MILK SAFETY BRANCH IN COMPLIANCE WITH GRADE "A" PASTEURIZED MILK ORDINANCE/FDA

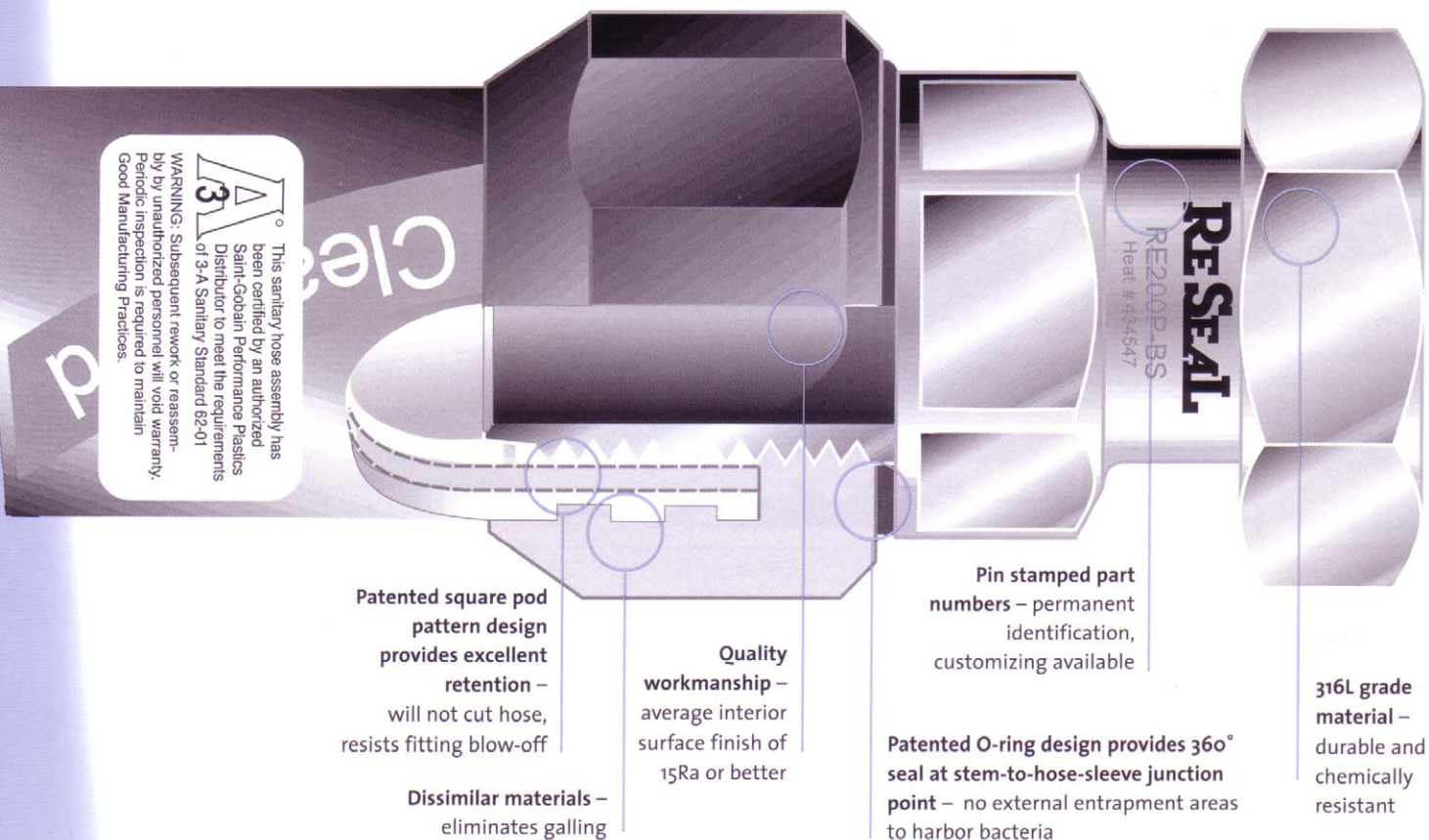
Applications

- Food
- Beverage
- Dairy
- Cosmetics
- Instrumentation



Features and Benefits

- **Totally reusable**
 - Made of grade 316L stainless steel with an average interior surface finish of 15Ra or better
 - Can be dismantled and reattached to a new length of hose by a factory-authorized fabricating distributor
 - Smaller sizes can be field fabricated
 - Significant savings compared to the cost of a completely new assembly (up to 90%)
- Available in a wide variety of sizes and end styles
- **Sanitary**
 - Compliance with the highest 3-A 62-01 sanitary standard
 - Full flow compression seal and smooth bore design prevent bacteria build-up
- **Cleanable**
 - Chemically suitable for Clean-In-Place (CIP) procedures at low temperatures
- No disassembly for cleaning like clamped-in fittings
- **Safe**
 - Superior coupling retention
 - No straps or bands to injure workers
- **Inspectable**
 - No need to cut up hose assembly
 - Quick disassembly makes inspections easy



3-A[®] This sanitary hose assembly has been certified by an authorized Saint-Gobain Performance Plastics Distributor to meet the requirements of 3-A Sanitary Standard 62-01

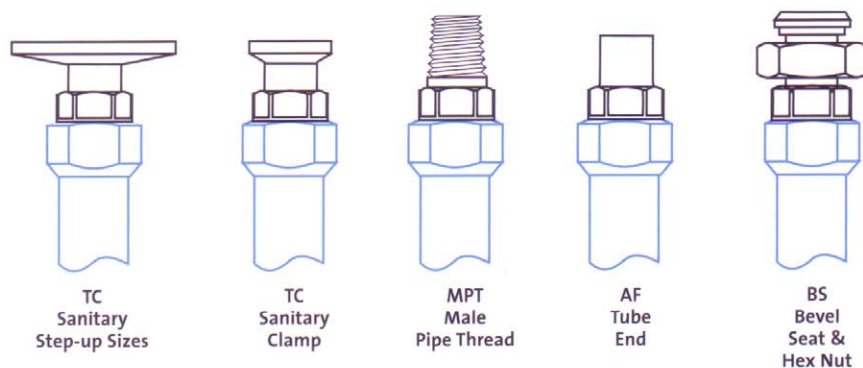
WARNING: Subsequent rework or reassembly by unauthorized personnel will void warranty. Periodic inspection is required to maintain Good Manufacturing Practices.

Fitting Details

- ReSeal® fittings for ClearGard® PVC suction/discharge hose and tubing are available in sizes 1" up to 4" in five standard end styles (including a 316L stainless steel stem option)
- Stems are manufactured from 304L stainless steel with an average interior surface finish exceeding 25Ra (CSC, CSW only)
- Stems are manufactured from grade 316L stainless steel with an average interior surface finish of 15Ra or better (CBT, CCT, CSS only)
- Hose sleeves are available in either high impact polymer or stainless steel (stainless steel for CBT, CCT, CSS only)

End Connector Styles

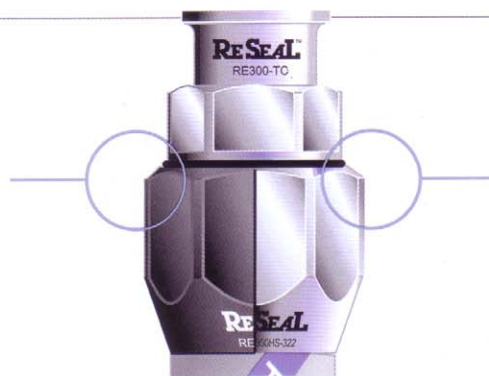
Other end styles are also available with additional welding charges.



Hose Sleeve

Polymer

- Inexpensive
- CIP chemically suitable
- Excellent abrasion resistance
- Lightweight
- Mild chemical resistance
- Superior impact resistance
- Assortment of colors available
- Non-reusable



Stainless Steel

- Elevated temperature
- CIP and COP suitable
- Excellent durability
- Higher pressure ratings
- Chemically resistant
- Reusable
- For CBT, CCT and CSS only

ClearGard® PVC Hose and Tubing

